

# Series N111 Multifunction Surface Mount Meter

Hour meter with Resettable Maintenance Functions



- Monitor Run Hours, RPMs(1-2 Cylinders), and Maintenance Requirements on Gasoline Engines.
- Available with GDI Flash Alert™ service reminders, cycle counter, timers and more!
- Mode button to toggle through functions and Reset Flash alerts after maintenance is performed.
- Easy Installation with patented 1 wire Inductive hookup, Self powered.



GDI Surface Mounted meters are the perfect maintenance solution for monitoring and properly maintaining any gas powered equipment. This meter is highly customizable and can include functions such as an hour meter, tachometer, resettable service alerts, timers and more.

Knowing what to service and when to service is the key to a successful maintenance program—GDI meters with Flash Alert™ makes this possible! With GDI Flash Alert, the LCD display will flash **What** service to perform and **When** to perform it. The user can see how many hours are remaining until service is required, or if a service is required NOW. After the maintenance is performed, the user can reset the service alert by holding down a single button. Up to 3 Flash Alerts with breakin intervals are available. Standard or custom service messages are also available.

Solid state electronics, modern LCD, competitive costing, superb environmental durability and enhanced functionality offer today's leading Maintenance firms and OEMs the best of all possibilities without sacrifice to performance, operation, or budget.

## Features at a glance:

- Mode button to toggle through functions and reset intervals, alerts and timers.
- Total run time Hour meter
- 2 Timers with reset option
- 3 Service Alerts with Breakin interval and reset options.
- Inductive Tachometer for 1 and 2 Cylinder Gasoline Engines
- Power up message
- Power down message
- Stock and customer messages
- LCD Display always lit
- 1 wire Inductive hookup (simply wrap the pickup wire around the outside of a sparkplug wire or coil-in-plug module)
- 100% Environmentally sealed

## Mode Button

- Simple Mode button toggles through available modes, clear alarms and more
- Mode button is sealed and tested for the harshest environments

## Hour Meter & Timers

- Total run timer counts in tenths, then whole hours up to 99,999 hours (non resettable)
- Timer 1 counts in tenths, then whole hours up to 99,999 hours (resettable or non resettable)
- Timer 2 counts in tenths, then whole hours up to 99,999 hours (resettable or non resettable)
- Note: If the OEM selects the Timer(s) as resettable, the time can be reset by holding the Mode button down for 3 seconds while in the Timer1 or Timer2 mode respectively.
- Resolution 0.1 hours
- Quartz accuracy: +/- 0.02% (over entire voltage & temperature range)



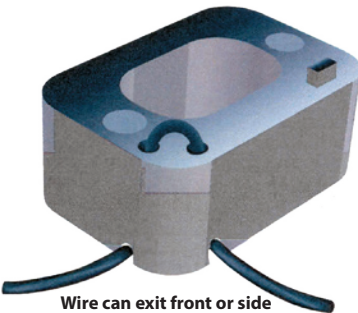
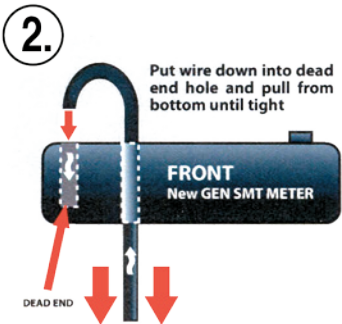
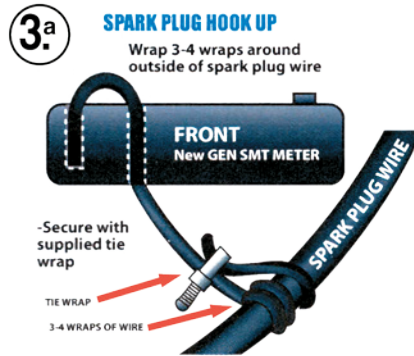
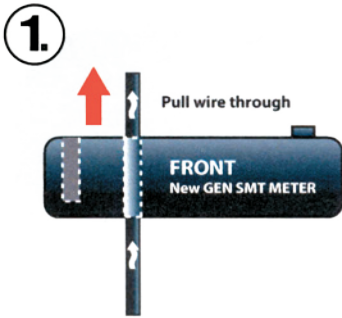
## Flash Alert Option

- Three (3) Service Alerts (1 to 9,999 hour interval)
- One time Breakin interval option for each alarm (1 to 999 hours)
- Reset the Service Interval, or Alert by holding down the Mode button for 3 seconds, or 10 seconds
- Interval sync up option so multiple services come due at the same time
- Flash Alert trigger: (OEM can decide when to flash alerts on LCD regardless of what mode the meter is in, plus how often to flash).
- Standard and custom messages available.
- Note: Service alerts are count down intervals (run hours). The interval is the amount of run time until a service is due (Example, Change OIL every 25 hours). After the interval is reached, the LCD will show to Change Oil “NOW”.

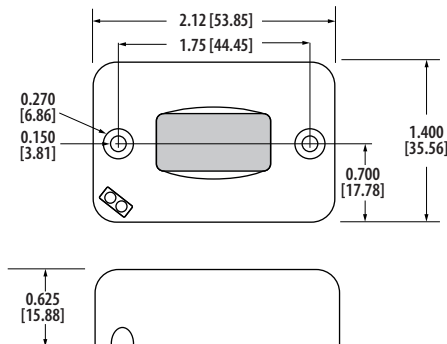
## Power up or Power down message

- Messages can be displayed on the LCD on power up or power down of the equipment.
- The OEM specifies the message and how many times the message is repeated.
- For Example: on power up display “SEAT BELT” three times. (repeat can be 1-15 times)

## New GEN SMT METER Hook Up



### Mechanical Specification



### Environmental Specifications

- Meter power supply: Internal lithium battery - 3 volt (Li-MnO<sub>2</sub>)
- Battery Life: >12 years
- Encapsulation: Internals 100% encapsulated
- LCD: Automotive Grade
- VA (Viewable Area): 12.7mm x 25.4mm
- Digit Height: 6mm
- Digits: 6
- Type: Positive Mode, TN
- Fluid: High Temp
- Polarizer-Rear: High Temp Reflective
- Polarizer-Front: High Temp, Transmissive (antiglare)
- Viewing Angle: 6 o'clock
- Backlight - NO
- PCB-LCD connection: DIL pin soldered to PCB
- Logging Response Time:
  - » Log ON: 1 second
  - » Log OFF: 1 second
- Average Log ON-Log OFF = 0
- Accuracy; +/- 0.01 % @ 25C
- Front Bezel: ABS - black housing (Polylac PA757) with Acrylic clear window (Altuglas MI-7-101)
- Mounting-Screws, Velcro or Double sided tape.
- Weight: 0.95 oz. (27g)

### Tests and Certifications:

- Emissions: (CISPR11:2003 + A1:2004, Group1)
- Radiated: Class B
- ESD (Cenelec EN61000-4-2:1995+A1:1998+A2:2001)
- +/- 4kV contact
- +/- 4kV air
- Conducted RF: (Cenelec EN61000-4-6:2007)
- 150kHz to 80MHz 3Vrms, 1kHs 80%AM
- Magnetic Fields: (Cenelec EN61000-4-8:1993+A1:2001)
- 3A/m at 50Hz
- Agency approvals: CE

### OEM Options

- Pick and choose 1 or more functions
- Custom Printing and Logo
- Packaging: Carded, individual box, bulk in trays, polybagged or special kits.

### Installation:

1. Find a convenient mounting location; be sure the pickup-wire reaches the spark plug wire or plug-in-coil module. Do Not mount meter where surface temperature exceeds 125F.
2. Pull the pickup wire from the bottom of the meter through the pickup hole. Feed the end of the wire down into the adjacent dead end hole and pull tight. Determine if the pickup wire will exit from the front or the left bottom of the meter.
3. Mount the meter with screws, double sided tape, or Velcro. If using screws, use the meter to make a template for drilling holes with 7/64" drill bit. **DO NOT DRILL** into **GAS TANKS** or **ENGINE CRANKCASE**: If in doubt, contact your dealer. Secure with screws.
4. Spark plug hookup: For spark plug wire hookup, wrap the end of the pickup wire 3-4 times around the **OUTSIDE** of the sparkplug wire and secure it with a tie wrap. For plug-in-coil module, wrap the pickup wire several times around the module and secure it with a tie wrap.