

D Series Dual Maintenance Gauges by GDI

Top Gauge: Battery Fuel Gauge, Liquid Fuel Gauge, or LED Volt Meter

Bottom Gauge: Hour Meter with Service Flash Alert and Input/Output options



New Feature Now Available: All-on LED Display

Now OEM customers can select a bright, 10-segment LED display that lights all 10 LED's when the battery is full. This new functionality makes the gauge very easy to read, even in low light conditions. GDI is currently the only gauge company offering this option.

- The Top gauge can one of 3 inputs:
 - a) Battery Fuel Gauge: Displays the percent of charge in lead acid batteries
 - b) Liquid Fuel Gauge: Displays the fuel level in a liquid tank (for use with a fuel sender).
 - c) LED Volt Meter: Displays the voltage of the electrical system
- The Bottom gauge is an Hour Meter with Service Flash Alert options and I/O options



Operation of the Battery Fuel Gauge:

Battery Charge capacity is indicated using a 10 segment LED bar graph display from full (right LED segment lit) to empty (Left LED segment lit).

- *LED Flash Alert™* flashes the 2nd LED from the left as a warning that the battery has discharged 70%.
- At 80% discharge, *LED Flash Alert™* alternate flashes the left 2 LEDs to indicate very low capacity is remaining.
- The *LED Flash Alert™* can be OEM customized.
- OEM options include *external LED light enable*, and *charger communication protocol*.

Operation of the Liquid Fuel Gauge:

Liquid capacity is indicated using a 10 segment LED bar graph display from full (right LED segment lit) to empty (Left LED segment lit).

- *LED Flash Alert™* flashes the 2nd LED from the left as a warning that liquid is low.
- The left most LED Flashes to indicate a very low level is remaining.
- The *LED Flash Alert™* can be OEM customized.
- This meter can also be used as a *Temperature gauge*.

Operation of the LED Volt Meter:

The appropriate system voltage is displayed using a 10 segment LED bar graph display.

- The *LED Flash Alert™* can be OEM specified.
- The *LED Flash Alert™* warns the user that the equipment voltage is approaching a critical voltage range (high or low).

Operation of the Hour Meter:

The hour meter is OEM specified and counts to 99,999 hours with 1 hour resolution. Tenths of hours are visible until the first whole hour is reached.

- SenDEC Flash Alert service alarms are available based on OEM requirements.
- The LCD is always lit, so users can examine the total hours, or if service is due at any time.
- Various DC or AC/DC inputs and voltage ranges are

Battery Fuel Gauge

- Available in 12, 24, 36, and 48 volt or custom DC ranges
- 10 segment LED Bar Graph display
- Resolution: 10% per LED segment (or OEM specified)
- Current Draw: 3.2mA LED Display off,
- 15 mA with LED Display ON
- Reverse Polarity Protected
- LED enable input option to save battery current
- 70% discharge indicated by the 2nd LED segment flashing
- 80% discharge indicated by alternate 2 left LED segments flashing
- Custom discharge profiles available
- Overcharge protected (50% over nominal voltage)
- Full charge indicated when the right LED bar is lit (specified full charge voltage per cell is reached for a minimum of 6 minutes continuously). **custom full charge algorithms available

Environmental Specifications

- Operating temperature: -40F to 160F (-40C to 71C)
- Shock: SAE J1378 55g's
- Vibration: SAE J1378 20g's
- Humidity: SAE J1378 95% RH
- 100% Epoxy encapsulated
- Case Material: ABS, black
- Weight 1 oz.
- Warranty: Two years for OEMs

Specifications may be subject to change without prior written notice

Liquid Fuel Gauge

- For use with Fuel Senders (30-240 ohms), (0 to 90 ohms), and other OEM specified Fuel Senders and profiles.
- Available in 12 volts DC **custom ranges available
- 10 segment LED Bar Graph display
- Resolution: 10% per LED segment (or OEM specified)
- Current Draw: 3.2mA LED Display off,
- 15mA with LED Display ON
- Reverse Polarity Protected
- Option for LED Flash Alerts
- Full tank indicated when the right LED bar is lit
- Low tank indicated when left LED bar is lit

Volt Meter

- Available in 12, 24, 36, and 48 volt or custom DC ranges
- 10 segment LED Bar Graph display
- Resolution: 1 Volt per Bar (or OEM specified).
- Accuracy: +/- 0.12 volts DC
- Current Draw: 15mA
- Reverse Polarity Protected

Hour Meter

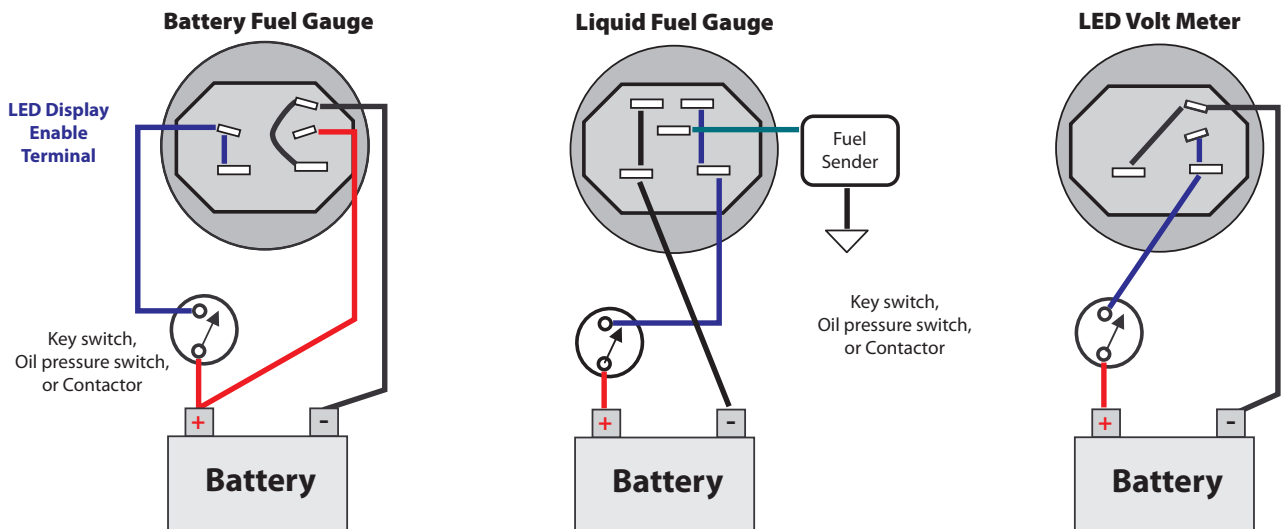
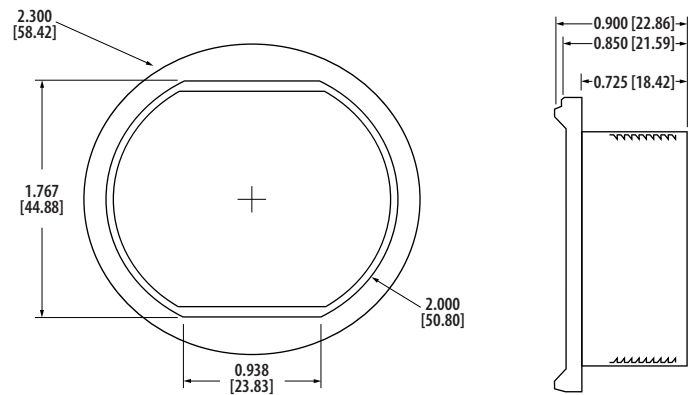
- LCD display always lit
- Counts to 99,999 hours
- Various inputs and voltage ranges available
- Available with Flash Alert service reminders

Model	Bezel Style	Top Gauge	Bottom Gauge	Top Gauge Tabs	OEM Code
D1	N = Dual Round	A = 12-48VDC Battery fuel/Volt meter B = 12VDC Fuel Gauge C = 12VDC All LED lit Fuel Gauge	2 = Hour Meter, in line tabs 5-277DC, 60-277AC input	Factory #	Factory #

Example: D1N-A22
(Dual gauge with Battery Fuel gauge top, Hour meter bottom)

OEM Options

- Lockout function to disable vehicle operation when the battery is dangerously low.
- Custom products available (Special outputs)
- Custom Logos
- Packaging: Individual box, bulk in trays, poly-bagged or special kits
- General purpose output available.



Note: Specifications are preliminary and are subject to change without prior notification.
All rights reserved by Global Digital Instruments LLC 5/11 Rev A