

SURFACE MOUNTED Vibration Hour Meters

806-600 Series
PATENTED

SenDEC[®]
CORPORATION

TECHNICAL DATA

SenDEC's Surface Mounted **Vibration Activated** Hour Meters provide what today's engineers need and expect from Hour meters and Multifunction Maintenance Meters — *Value* and *Quality*. The advent of SenDEC's new custom processor brings about a new age of advanced technology to build upon traditional hour meter recording.

SenDEC's Vibration Activated meters with Flash Alert have become the most cost effective method of performing service. Knowing what to service and *when*, is the key to a successful Preventative Maintenance program—SenDEC products make this possible.

Our meter displays can be read at all times! There is no external hookup or power required, just mount the meter and your ready to go, IT'S THAT EASY .

Solid state electronics, modern LCD, competitive costing, superb environmental durability and enhanced functionality offer today's leading OEMs the best of all possibilities without sacrifice to performance, operation or budget.

SenDEC's multifunction Vibration meters may be purchased as an hour meter only or with our patented Flash Alerts.

Along with our vibration meters, SenDEC also offers a wide range of AC, DC, and Inductive inputs in a variety of bezel configurations and functions.

Function Specifications

HOURLY METER

- Records & displays to: 9,999.9 hrs
- Hour glass symbol appears & flashes on/off to indicate counting time.
- Automatic roll over
- Resolution: 0.1 hour
- Quartz accuracy: $\pm .02\%$ (over entire voltage & temperature range)

FLASH ALERT MODEL

Flashes "CHG OIL" at programmed intervals for specific amount of hours; before and after the alert interval, as a service reminder. Flash Alert is designed as a reminder to service. Actual maintenance intervals may vary by manufacturer — read your owner's manual for actual recommended service intervals.

** Two separate Flash alerts available!
(See page 2 for options)

Environmental Specifications

Operating temperature: -40°F to 160°F
-40°C to 71°C

- Shock: SAE J1378 55g's
- Vibration: SAE J1378 20g's
- Humidity: SAE J1378 95% RH
- 100% Epoxy encapsulated
- LCD digit height: .200
- Case Material: ABS, black
- Weight: 1 oz.
- Warranty: One year

Specifications subject to change without prior written notice

APPLICATIONS

For all equipment, including specialized applications requiring accurate time measurement without available power

- *Amusement vehicles
- *Roller coasters
- *Rental equipment
- *Construction equipment
- *Industrial equipment and machinery
- *Processing equipment
- *Compressors
- *Motors



2.125" L x 1.490" W x .550" D

Patented
**HOUR
METERS**

WITH
EXTRA VALUE

OUR MOST
POPULAR OEM
OPTION

LUBE
**FLASH
ALERT**SM
CHANGE OIL
SVC

Minimal Cost
(PENNIES)

MAXIMUM
VALUE

Flash Alert: programmed
specifically for your applications
service requirements

STANDARD MODELS

Model Code	Operation	Functions	Applications
■ 806-601 1031	Records and displays actual	Hour Meter	All Equipment
■ 806-601 1033	Fully Automatic Flash Alerts will flash automatically at factory set intervals.	Hour Meter With Flash Alerts — Flashes "CHG OIL" at 25 Hour intervals with total flash time of 2 hours.	All Equipment

■ Other models available: Up to 2 Flash Alerts with customer specified intervals are available:
 FLASH ALERT 1 is available with 1st time break in service interval and recurring service interval thereafter.
 FLASH ALERT 2 is available with a recurring service interval (can have a separate icon or message flashed).

Vibration models also offered in Panel Mount Bezels

The new **SenDEC 806-600 Series** offers state-of-the-art electronics, value-added functionality with the ease of installation "no wires". A smooth contoured, low profile bezel with integrated mounting holes affords a smaller footprint and better eye appeal without sacrifice to operation or performance.

Additional benefits include:

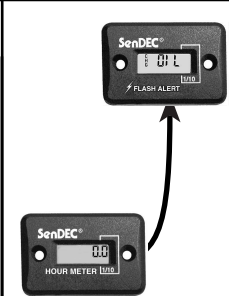
- Used on any equipment that vibrates during operation
- Gasket sealed front face – impervious to water, dirt and dust
- Epoxy encapsulated – best protection against vibration, shock, water
- Totally automatic operation – no switches to malfunction
- Flash AlertsSM – dual service alerts to promote on time service (available on specific models)
- Easy to install


OEM Options

- Key KancelSM (alarm reset via wand)
- Custom Logos
- Packaging: Carded, individual box, bulk in trays, poly-bagged or special kits.
- Special Flash Alert Programming

“Exponential Value added”

Real & perceived VALUE!



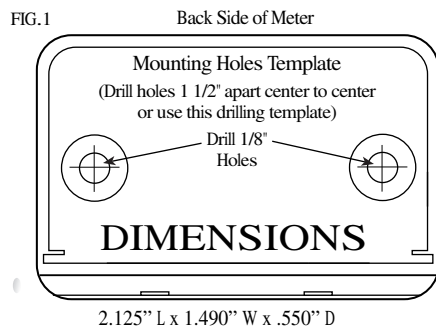


FLASH ALERTSM
ALARMS
Means knowing what and when to service!

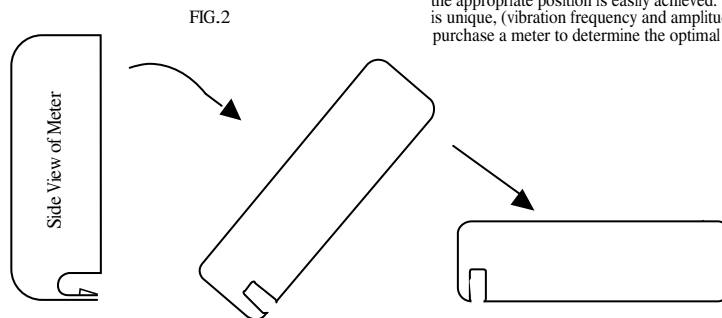
How much additional cost? Only PENNIES!

INSTALLATION: EASY AS 1–2–3

1. Find a convenient mounting location.
DO NOT mount meter where surface temperature exceeds 125° F. As a general guideline, if you can place your hand on the mounting surface without discomfort while equipment is at full operating temperature, then it will be suitable to mount meter in that location.
2. Use drill template (Fig. 1) to locate mounting holes. DO NOT DRILL INTO GAS TANKS OR ENGINE CRANKCASE; If in doubt contact your dealer.
3. Mounting will determine the sensitivity of the meter. In most applications the appropriate mounting sensitivity can be easily achieved.
See Fig. 2 for mounting sensitivity options.



Side view of Vertical (average sensitivity)



Mounting will determine the sensitivity of the meter. In most applications the appropriate position is easily achieved. Because each application is unique, (vibration frequency and amplitude) it is suggested to purchase a meter to determine the optimal installation location.

SenDEC[®] CORPORATION

Sales Office: 1704 North Wayneport RD, Macedon NY 14502

Phone (315) 986-1812 • Fax (315) 986-4395 • www.sendec.com • Sales email: mgeorge@sendec.com

Corporate Headquarters & Manufacturing: 151 Perinton Pkwy., Fairport, NY 14450 • Phone (716) 425-3390 • Fax (716) 425-3392

Downloadable in dxf drawing

PROTECTED BY U.S. PATENTS
7/2000 LB&A P/N 801-808