

# Rotating Shaft Hour Meter FOR DIESEL ENGINES & ANY ROTATING SHAFT

Surface Mount  
Series N160  
Model Code N160 0200 1018 0003



IMD Europe GmbH · Auf dem Molzberg 2 · D-57548 Kirchen

## Quality Features

-  Absolut dust-, fresh-, & saltwater resistant till 20m underwatersurface.
-  Due to a self-contained battery it has a life cycle of 12 years.
-  Extrem shock proof up to at least 60G
-  High contrast LCD display is always lit and is polarized to prevent discoloration from UV exposure.
-  Pressure washer cleaning possible.
-  Ultra-mini stainless steel sensor only needs 2-6 mm for signal receiving.

## Product Pictures

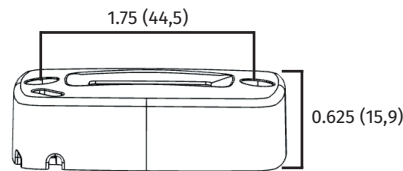
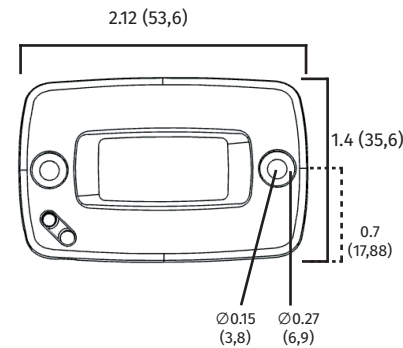
Top View



Perspective View



## Mechanical Specification



imperial (metric)

## OEM and Packaging

Blister Card Design Pack.  
All hardware included.

- Hour Meter
- Screws
- Manual
- Magnet



## Apply for

For diesel engines, electric motors and any equipment with rotating shaft.



## Integrated Functions

for N160 0200 1018 0003  
TACH/HOUR

Shows Hours in OFF  
Shows RPM in ON

No Timer  
No Service Alerts

## Installation

Position the sensor within 0.6 cm of the magnet

Secure the magnet to the rotating part (eg flywheel on diesel) with a locking adhesive. So the rotation counter measures from 100 U/min.

