






Vibration Hour Meter FOR ANY VIBRATING EQUIPMENT with Transport Filter (does not count while transported)

Surface Mount
Series N151
Model Code N151 0101 0174 0003



IMD Europe GmbH · Auf dem Molzberg 2 · D-57548 Kirchen

Quality Features

-  Absolut dust-, fresh-, & saltwater resistant till 20m underwatersurface.
-  Due to a self-contained battery it has a life cycle of 12 years.
-  Extrem shock proof up to at least 90G
-  High contrast LCD display is always lit and is polarized to prevent discoloration from UV exposure.
-  Pressure washer cleaning possible.

Product Pictures

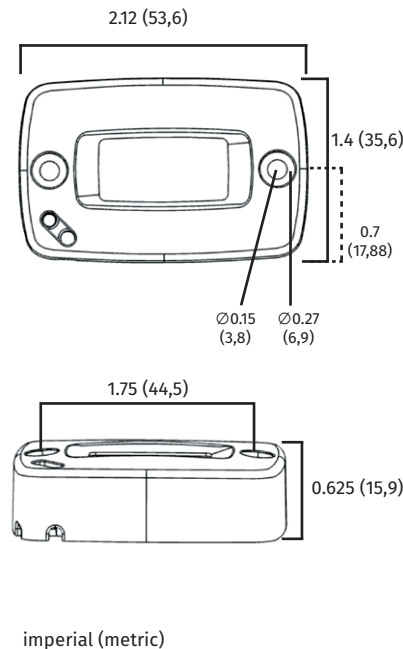
Top View



Perspective View



Mechanical Specification



OEM and Packaging

Blister Card Design Pack.
All hardware included.

- Hour Meter
- Screws
- Manual
- Double sided tape



Apply for

For any equipment with regular vibration.



Integrated Functions

for N151 0101 0174 0003

Hours only

With Transport Filter
With Event Counter

No Timer
No Service Alerts

Transport Filter



During the first sec. after start of the engine it will check out if there is a constant frequency. Therefore the meter adds detecting sec. behind time to determine the real operating hours.
Does not count when random vibration applies.

Instruction

Activation: Keep the menu button pressed until the code number is replaced by 0000.0.
Event counter: Hold down the menu button for 10 sec. The displayed number is the number of on / off events.

