

Vibration Hour Meter FOR TRAILED EQUIPMENT & SENSITIVE VIBRATIONS Without Transport Filter

Surface Mount
Series N151

Model Code N151 0101 0195 0003



IMD Europe GmbH · Auf dem Molzberg 2 · D-57548 Kirchen

Quality Features



Absolut dust-, fresh-, & saltwater resistant till 20m underwatersurface.



Due to a self-contained battery it has a life cycle of 12 years.



Extrem shock proof up to at least 90G



High contrast LCD display is always lit and is polarized to prevent discoloration from UV exposure.



Pressure washer cleaning possible.

Product Pictures

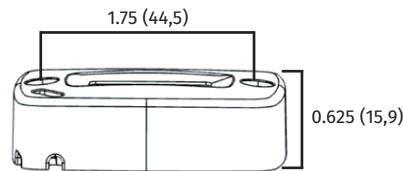
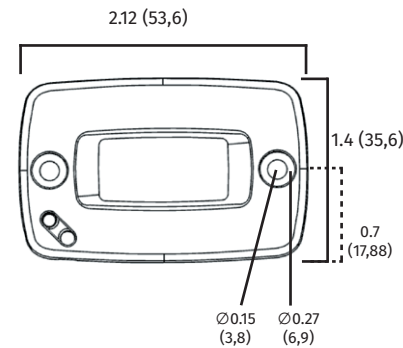
Top View



Perspective View



Mechanical Specification



imperial (metric)

OEM and Packaging

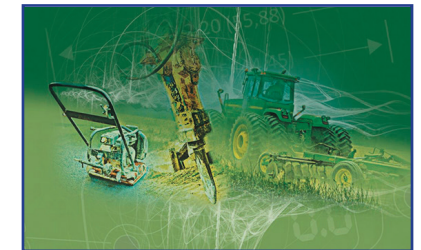
Blister Card Design Pack.
All hardware included.

- Hour Meter
- Screws
- Manual
- Double sided tape



Apply for

For trailed equipment and equipment with sensitive or random vibrations.



Integrated Functions

for N151 0101 0195 0003

Hours only

No Timer

No Service Alerts

Without Transport Filter

Instruction

Activation: Keep the menu button pressed until the code number is replaced by 0000.0.

Event counter: Hold down the menu button for 10 sec. The displayed number is the number of on / off events.

