

Inductive Hour Meter FOR PETROL ENGINES without service alert

Surface Mount
Series N110

Model Code N110 0100 1018 0003



IMD Europe GmbH · Auf dem Molzberg 2 · D-57548 Kirchen

Quality Features



Absolut dust-, fresh-, & saltwater resistant till 20m underwatersurface.



Due to a self-contained battery it has a life cycle of 12 years.



Extrem shock proof up to at least 55G (depending on the product the manage up to 90G)



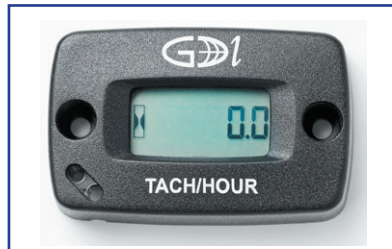
High contrast LCD display is always lit and is polarized to prevent discoloration from UV exposure.



Pressure washer cleaning possible.

Product Pictures

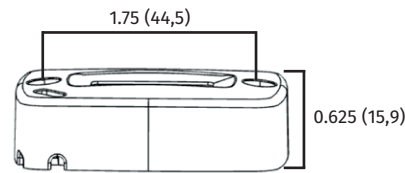
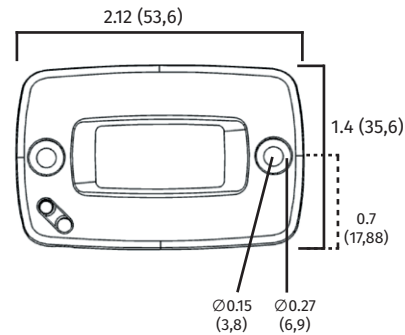
Top View



Perspective View



Mechanical Specification



imperial (metric)

OEM and Packaging

Blister Card Design Pack.
All hardware included.

- Hour Meter
- Pick up wire
- Screws
- Manual



Apply for

For all petrol engines with 1 or 2 cylinders.

- Marine
- Motor sport
- Home and Garden



Integrated Functions

for N110 0100 1018 0003
TACH/HOUR

- Shows Hours in OFF
- Shows RPM in ON
- No Timer
- No Service Alerts

Mounting Scheme



Installation Instruction

- Pull pickup wire through the meter from bottom through the pickup hole. Place the end of the wire into the dead end hole and pull it tight. Determine where the exit of the pickup wire should be (front or side).
- Mount the meter with screws or double-sided tape. Mount only on flat surfaces. Bolting pressure must be under the display to avoid tension.
- SPARK PLUG WIRE MOUNTING
Wrap the meter pickup wire tight around the spark plug wire 4 to 5 times and fix it with the supplied tie wrap.

